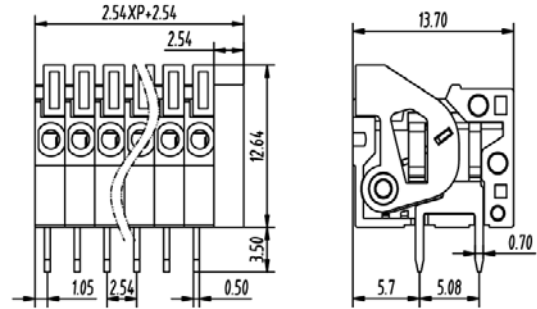


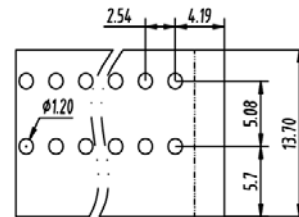
PCB terminal block — TLM series ( Screwless Type ) — TLM-900R



■ 图示(Pic. shown) : TLM-900R-08P-G12

General.	PCB terminal block Rated : 160V,5A , 0.75mm <sup>2</sup>
	Single row, 2.54mm pitch , 02-24 Pole
	Wiring orientation: 180°(wire-to-board)
	Screwless Type

认证 ( Approval ) :



PCB Layout

技术参数 Technical Data	UL standard			IEC standard		
	UL应用组别(UL Application group)	UL Application group			IEC过电压别/污染等级(IEC overvoltage category /pollution degree)	
IEC过电压别/污染等级(IEC overvoltage category /pollution degree)	B	C	D	III / 3	III / 2	II / 2
额定电压(Rated voltage)	150V	--	150V	--	160V	--
额定电流(Rated current)	2A	--	2A	--	5A	--
额定连接容量(Rated connection capacity)	26-20AWG Sol&Str			0.2~0.75mm <sup>2</sup> Sol&Str		
绝缘材料(Insulation Material)				PA66 UL94 V-0		
电流承载部件材料和镀层( Material & Plating of Current carrier )				Copper alloy , Sn plated		
接线弹片材料(Material of Clamp spring )				Stainless Steel ( GrNi )		
绝缘电阻(Insulation Resistance)				500MΩ or more at DC500V		
耐电压(1分钟)(Withstanding Voltage/1Min)				1300V		
额定冲击电压(Rated surge voltage)				--		
接线螺丝(Wire clamp unit Screw) , 最大扭矩( torque Max. )				--		
固定螺丝(Mounting Screw) , 扭矩(torque)				--		
剥线长度(Wire stripping length)				12.0mm		
使用温度(Operating temperature)				-40°C up to +105°C		
焊接方式(Soldering recommend)	Wave soldering ,260°C 5S Max (Single Wave) , 260°C 10S Max(Double Wave)					

■ 订购方式(How to order)

