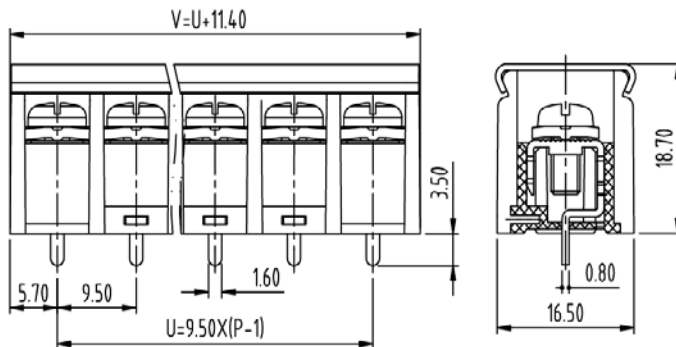


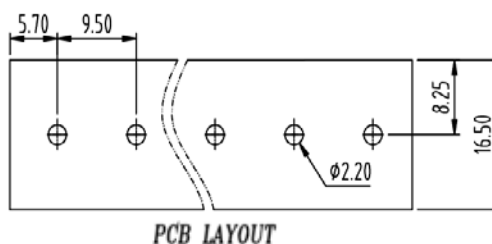
PCB terminal block — BARRIER SERIES — B950C-02



图示(Pic. shown) : B950C-02-09P-KC

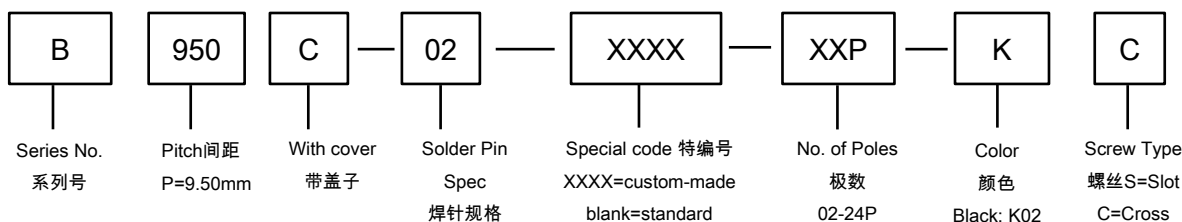
General:
 PCB terminal block Rated : 300V,25A , 22-10 Sol&Str
 Single row , 9.50mm pitch , 02-24 Pole
 Wiring orientation: 180°(wire-to-board)
 Screw clamp unit: M3.5, 1.0Nm Max

认证 (Approval) :



| 技术参数 Technical Data | UL standard | | | IEC standard | | |
|--|---|----|------|--|---------|--------|
| UL应用组别(UL Application group) | UL Application group | | | IEC过电压别/污染等级(IEC overvoltage category /pollution degree) | | |
| IEC过电压别/污染等级(IEC overvoltage category /pollution degree) | B | C | D | III / 3 | III / 2 | II / 2 |
| 额定电压(Rated voltage) | 300V | -- | 300V | -- | -- | -- |
| 额定电流(Rated current) | 25A | -- | 10A | -- | -- | -- |
| 额定连接容量(Rated connection capacity) | 22-10AWG Sol&Str | | | -- | | |
| 绝缘材料(Insulation Material) | | | | PA66 UL94 V-0 | | |
| 电流承载部件材料和镀层(Material & Plating of Current carrier) | | | | Copper alloy , Tin plated | | |
| 接线弹片材料(Material of Clamp spring) | | | | -- | | |
| 绝缘电阻(Insulation Resistance) | | | | 500MΩ or more at DC500V | | |
| 耐电压(1分钟)(Withstanding Voltage/1Min) | | | | 2500V | | |
| 额定冲击电压(Rated surge voltage) | | | | -- | | |
| 接线螺丝(Wire clamp unit Screw) , 最大扭矩(torque Max.) | | | | M3.5 , 1.0Nm Max | | |
| 固定螺丝(Mounting Screw) , 扭矩(torque) | | | | -- | | |
| 剥线长度(Wire stripping length) | | | | -- | | |
| 使用温度(Operating temperature) | | | | -30°C up to +105°C | | |
| 焊接方式(Soldering recommend) | Wave soldering ,260°C 5S Max (Single Wave) , 260°C 10S Max(Double Wave) | | | | | |

订购方式(How to order)



Web:www.china-tianli.com TEL:+86-574-6347-9600,6389-6436 Mail : sale@china-tianli.cn
 地址:中国浙江省宁波杭州湾新区庵东工业园区纬三路138号
 ADD : 138 , Weisan Rd.,Andong Development Zone, Hangzhou Bay Area, Ningbo, Zhejiang, China